

HOT SURFACE IGNITOR EVALUATION/REPLACEMENT:

A. USE CARE WHEN HANDLING, AND AVOID TOUCHING IGNITOR PROBE. PROBE IS FRAGILE, AND OILS FROM HANDS CAN CAUSE DAMAGE WHEN HEATED.

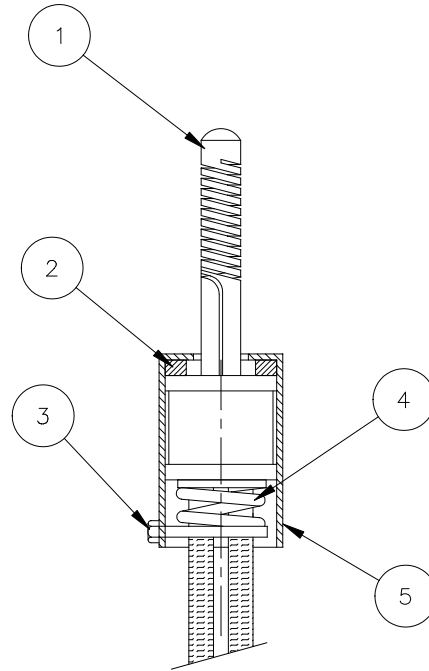
B. CHECK OHM READING BEFORE AND AFTER INSTALLATION. READINGS BETWEEN 10 OHMS AND 100 OHMS ARE CONSIDERED 'GOOD'. HIGHER OR LOWER READINGS INDICATE A FAILED OR FAULTY IGNITOR.

C. BE SURE SPRING (ITEM 4) AND INSULATING GASKET (ITEM 2) HOLD IGNITOR FIRMLY IN PLACE.

D. AFTER START OF IGNITION TIME (LED BLINKS ONCE) PROVING CURRENT MUST BE REACHED WITHIN 1 MINUTE. VERIFY, WITH AMP METER, THAT THE IGNITOR DRAWS AT LEAST 2.1 AMPS WITHIN THIS TIME.

NOTE: IF THE PROVING CURRENT IS REACHED, AND THEN LOST WITHIN THE FIRST 20 SECONDS, THE CONTROLLER WILL 'RE-START' THE PROVING TIME (LED BLINKS AGAIN).

FENWAL 35-67 MAY MAKE UP TO THREE CONSECUTIVE 'RE-STARTS'.



FENWAL 35-67 DIAGNOSTICS:

- *LED BLINKS ONCE- BEGINNING OF IGNITION PROVING TIME, OR IGNITION RE-START (CAN RE-START UP TO THREE TIMES)
- *LED BLINKS TWICE-FLAME SIGNAL ERROR
- *LED BLINKS THREE TIMES- LOCKOUT ERROR
- *LED BLINKS SIX TIMES- VALVE RELAY PROBLEM

AFTER THE PROVING CURRENT HAS BEEN REACHED, THE GAS VALVE OPENS, AND CONTROLLER STARTS THE (4-SECOND) TRIAL FOR IGNITION.

CAUTION!

HOT AIR FROM COMBUSTION CHAMBER CAN CAUSE DAMAGE TO WIRING AND CONNECTORS.

CONDUIT SEALING FIBER (SUCH AS STOCK # 61400, 'CHICO X-7') PREVENTS HOT AIR FROM ENTERING THE WIRING CONDUIT.

WHEN REPLACING A HOT SURFACE IGNITOR, BE SURE THAT ANY LOST OR DAMAGED SEALING FIBER IS REPLACED.

LEGEND:

— FIELD —	— FIELD —	FIELD WIRING
— INTERNAL PANEL WIRING		INTERNAL PANEL WIRING
— EXTERNAL PANEL WIRING		EXTERNAL PANEL WIRING

THIS DRAWING IS THE PROPERTY OF UNIVERSAL DYNAMICS INC. THIS DRAWING IS LOANED WITH THE EXPRESSED AGREEMENT THAT THE DRAWING AND INFORMATION THEREIN CONTAINED ARE THE PROPERTY OF UNIVERSAL DYNAMICS INC. AND WILL NOT BE REPRODUCED, COPIED, OR OTHERWISE DISCLOSED OR USED, IN WHOLE OR IN PART, FOR THE MAKING OF DRAWINGS, PRINTS OR OTHER REPRODUCTIONS HEREOF, FOR THE MAKING OF REPAIRS OR PARTS THEREOF, EXCEPT UNDER THE PERMISSION OF UNIVERSAL DYNAMICS INC. FIRST OBTAINED AND SPECIFIC TO EACH CASE. THE ACCEPTANCE OF THIS DRAWING WILL BE CONSTRUED AS AN ACCEPTANCE OF FOREGOING AGREEMENT.

REV	EDN #	DESCRIPTION OF REVISION	DATE	REVISED BY
		REVISED Y25006.3A TO STK. #75028	04/96	
		CHANGED IGNITOR TO 33405	06/99	
		ADDED NOTES	09/04	
		REPLACED 33405 W/33508	06/05	

5	1			HOUSING, IGNITOR (SHOWN FOR REF ONLY)
4	1	33308		SPRING, COMPRESSION 1" LG.
3	1	71199		PHIMS PHIL., HD, 8-32 x 7/8
2	1	75028		GASKET,IGNITOR
1	1	33508		IGNITOR, HOT SURFACE, 450°

P/NQ: QTY: UNA-DYN STOCK NO. LOCATION DESCRIPTION

TITLE:
IGNITOR ASSEMBLY

DRAWN: SPB DATE: 06/05 SERVED FROM:

APPROVAL: SCALE: SHEET: DRAWING NUMBER AND REVISION:

Y110581D

UNIVERSAL DYNAMICS
 1300 QUARRY ROAD
 WOODBRIDGE, VA 22191

DO NOT SCALE DRAWING

AUTOCAD